



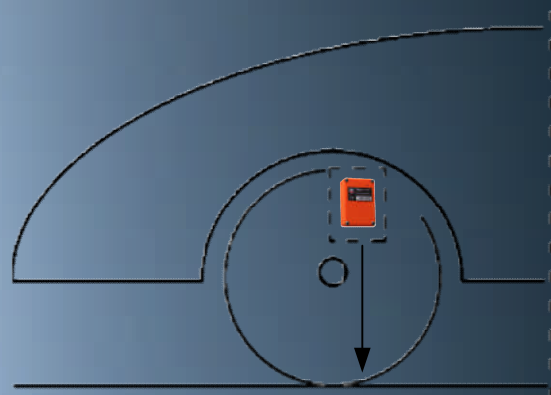
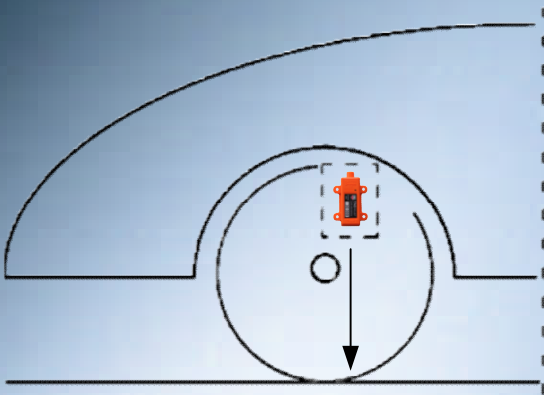
TAGHeuer
by
Chrononelec

How install a transponder rechargeable or Direct powered On a car

The mounting position of the transponder of a rechargeable or Direct powered transponder is the same. The transponder must be at the same place in all cars.

The transponder should be absolutely vertically, because the transponder is directional and make sure that the transponder has a clear view to the track (without metal or carbon fiber)

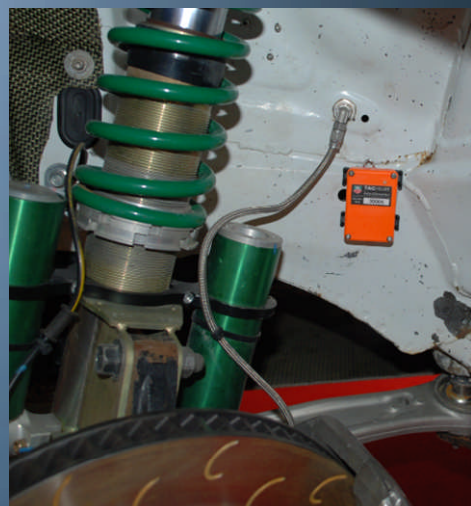
The ideal position is inside the wheel arch.



You must supply the transpondeur with 12V
Red or Brown wire : +12 V
Black or Blue wire : Mass



Fix the holder on the car before to
fix the transponder



Chrononelec

ZA de Beauregard
21490 Norges La Ville – France
www.chronelec.com